



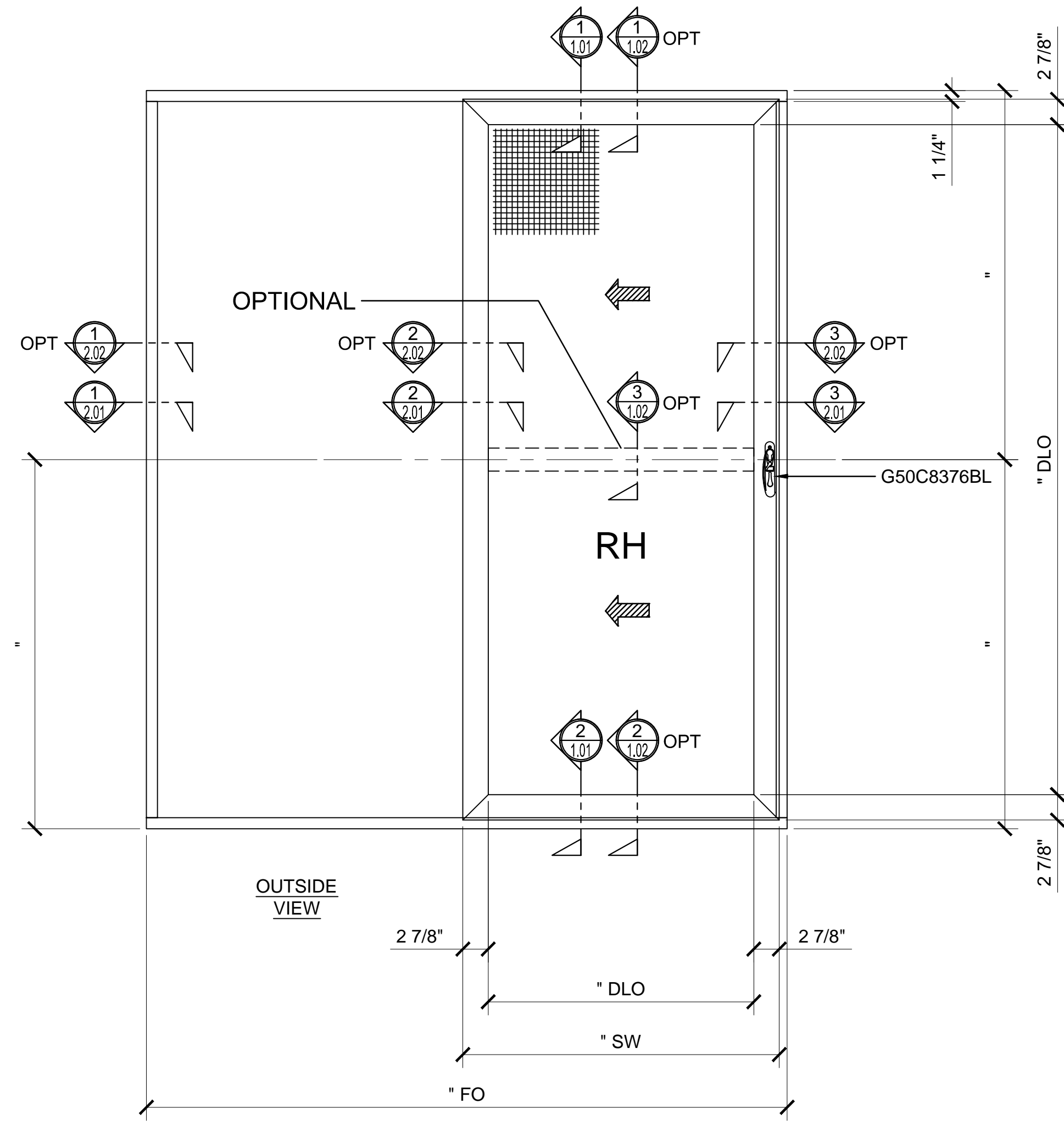
CAMPBELL SECURITY SCREEN PROTECTIVE SECURITY DOOR

CUSTOM DOOR (HEIGHT) GUIDELINES:
 SLIDING SINGLE DOOR SINGLE TRACK = 27.56" RECOMMENDED MIN HEIGHT
 SLIDING SINGLE DOOR SINGLE TRACK = 124" RECOMMENDED MAX HEIGHT
CUSTOM DOOR (WIDTH) GUIDELINES:
 SLIDING SINGLE DOOR SINGLE TRACK = 11.81" RECOMMENDED MIN WIDTH
 SLIDING SINGLE DOOR SINGLE TRACK = 60" RECOMMENDED MAX WIDTH

OPTIONS:
 DOOR HANDLE AT 44" - TYPICAL (< 44" WILL BE CHARGED EXTRA)
 MID-RAIL OPTIONS - VERTICAL AND HORIZONTAL (DETAIL 3/1.01)

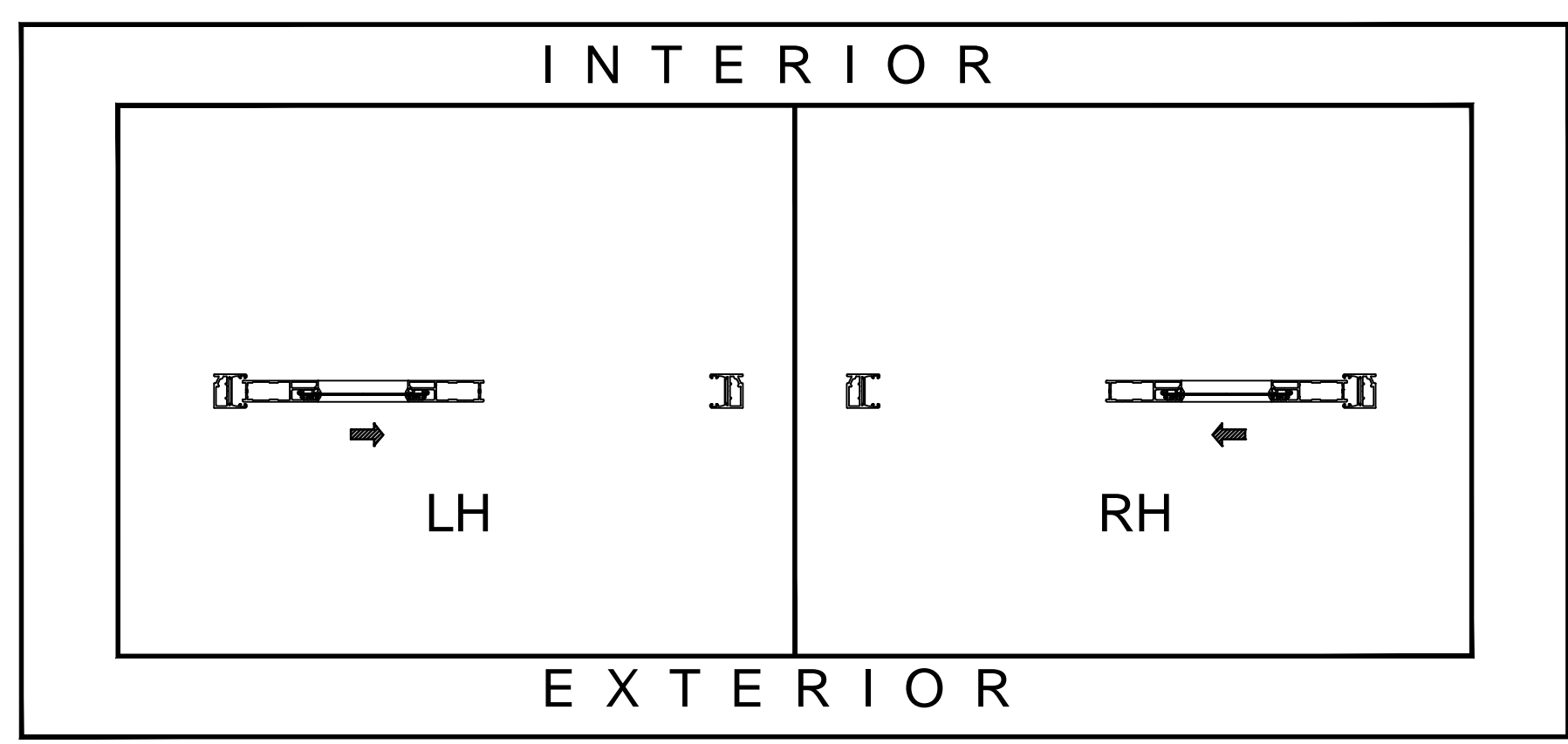
- COLOR OPTIONS:**
- WHITE
 - BLACK
 - BROWN
 - SAHARA BROWN
 - LIGHT GRAY
 - SILVER
 - ALMOND
 - BRONZE
 - SAHARA GRAY
 - CUSTOM

STRUCTURAL DISCLAIMER:
 ALL CUSTOMERS WHO IN ANY WAY UTILIZE THIS PRODUCT ARE SOLELY RESPONSIBLE TO CONSULT A STRUCTURAL ENGINEER TO DETERMINE THE SUITABILITY OF THE PRODUCT FOR THE INTENDED USE AND SITE CONDITIONS. ALL INSTALLERS MUST BE QUALIFIED AND HAVE PROFESSIONAL KNOWLEDGE ABOUT COMPLIANCE WITH LOCAL, STATE AND FEDERAL REGULATIONS, SAFETY FACTORS, AND THE APPROPRIATE CHOICE OF FIXING MATERIAL AND PROCEDURES.



SINGLE SLIDING DOOR SINGLE TRACK

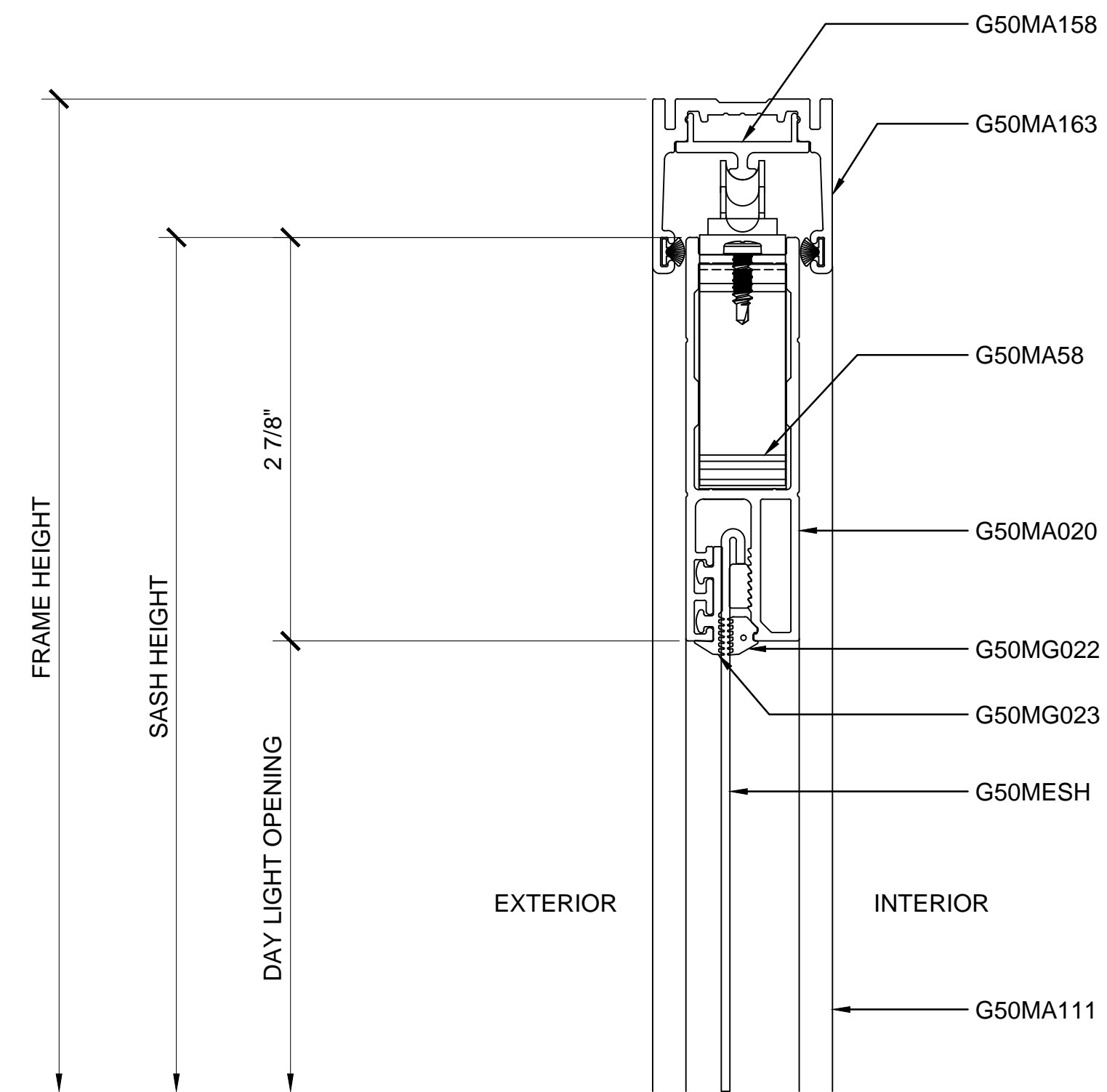
SLIDE DOOR CHART



"INDUSTRY STANDARD" DOOR STYLES AND SLIDING DOOR PATTERNS

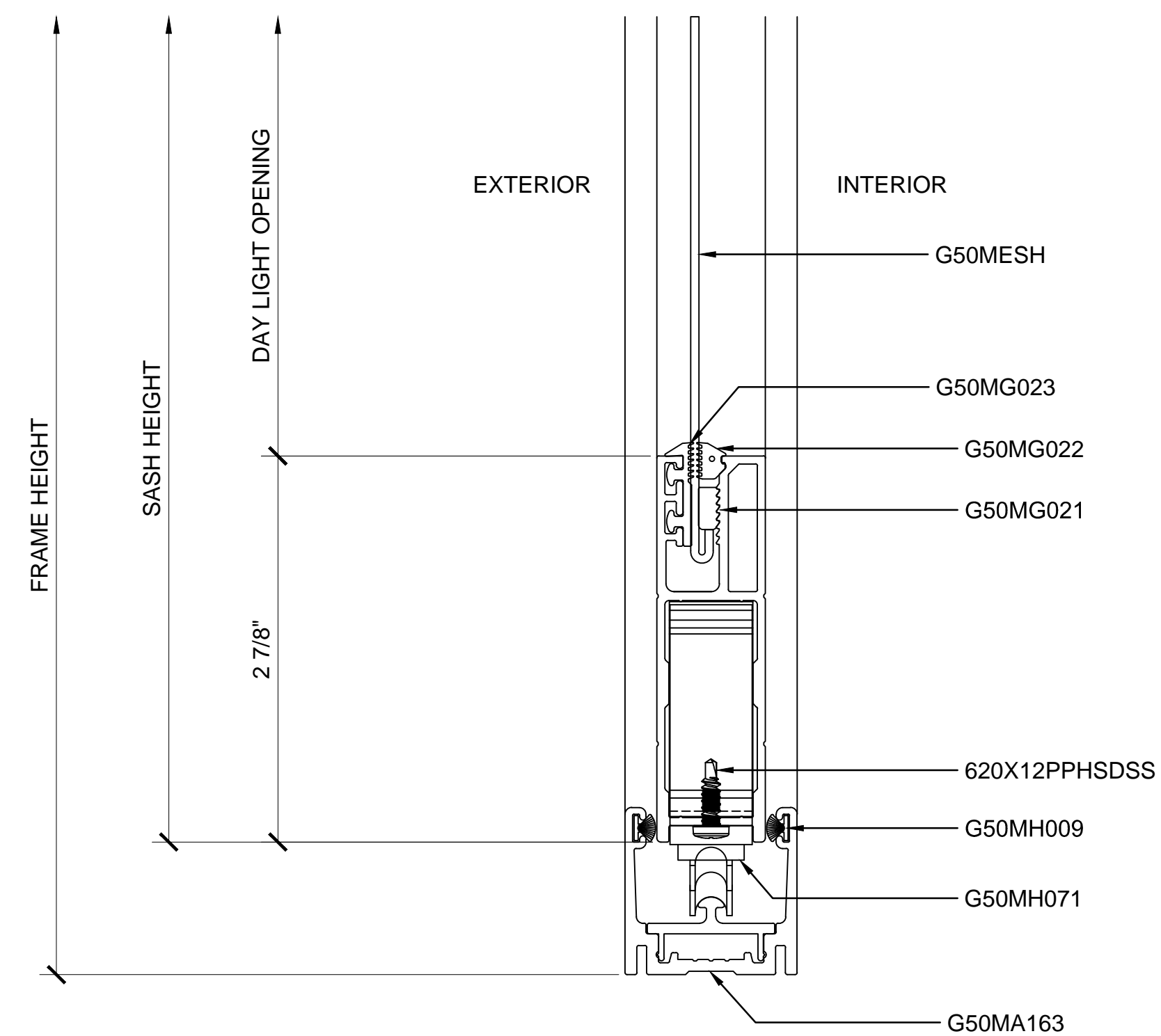
THERE ARE THREE BASIC DOOR STYLES TYPICALLY REFERRED TO THROUGHOUT THE INDUSTRY APPLICABLE TO THE CAMPBELL SECURITY SCREEN PROTECTIVE SECURITY SCREEN DOOR SYSTEMS. BY IDENTIFYING YOUR BASIC DOOR STYLE AND SWING, IT WILL HELP MAKE CLEAR WHAT YOUR INTENTIONS ARE FOR THE PARTICULAR PROJECT. FOR MORE INFORMATION PLEASE CONTACT US AT (800) 580-9997 OR FAX US AT (714) 375-7131.





① SECTION DETAIL AT HEAD

ARCH REF: N/A 1'-0"=1'-0"

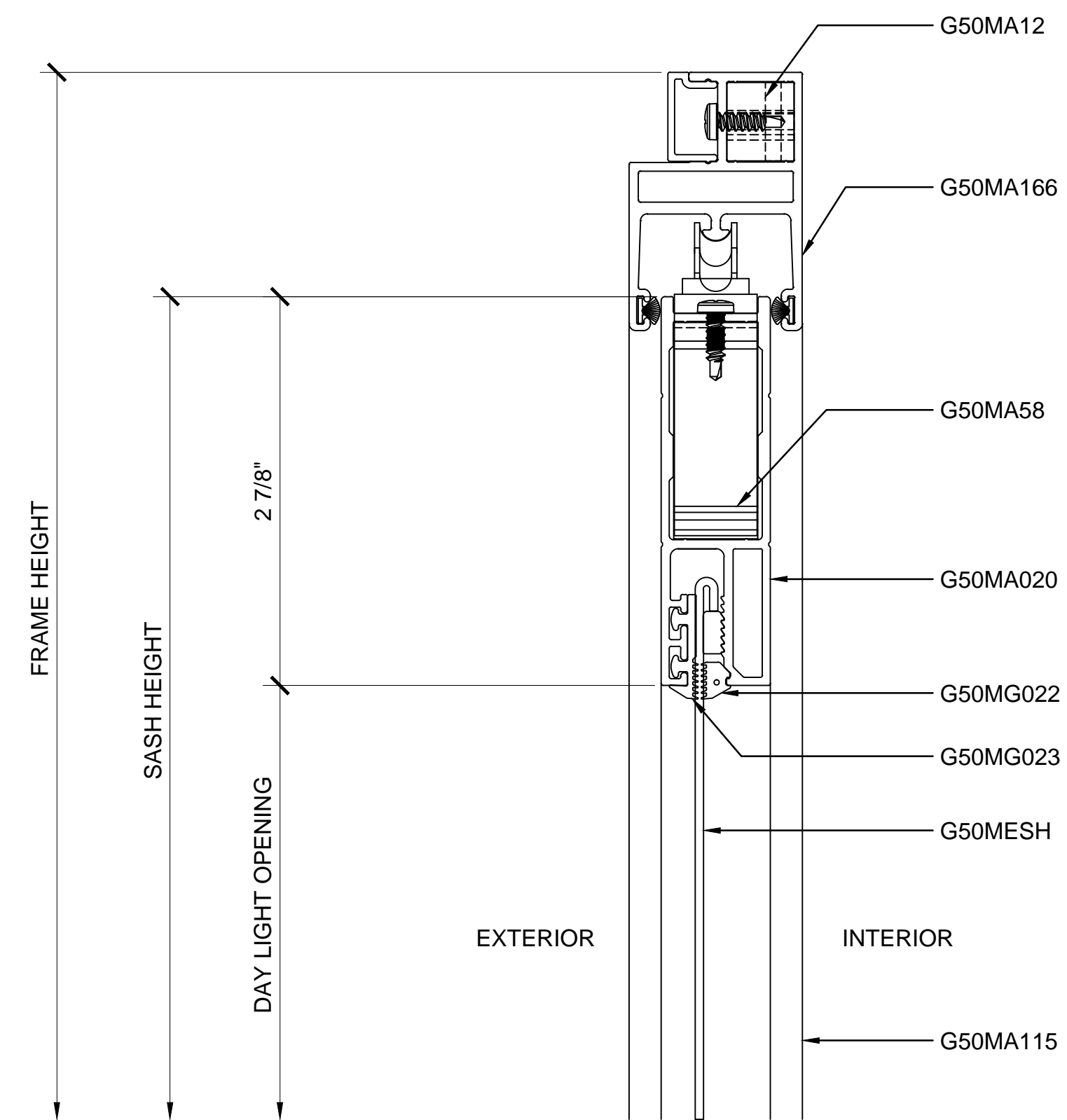


② SECTION DETAIL AT SILL

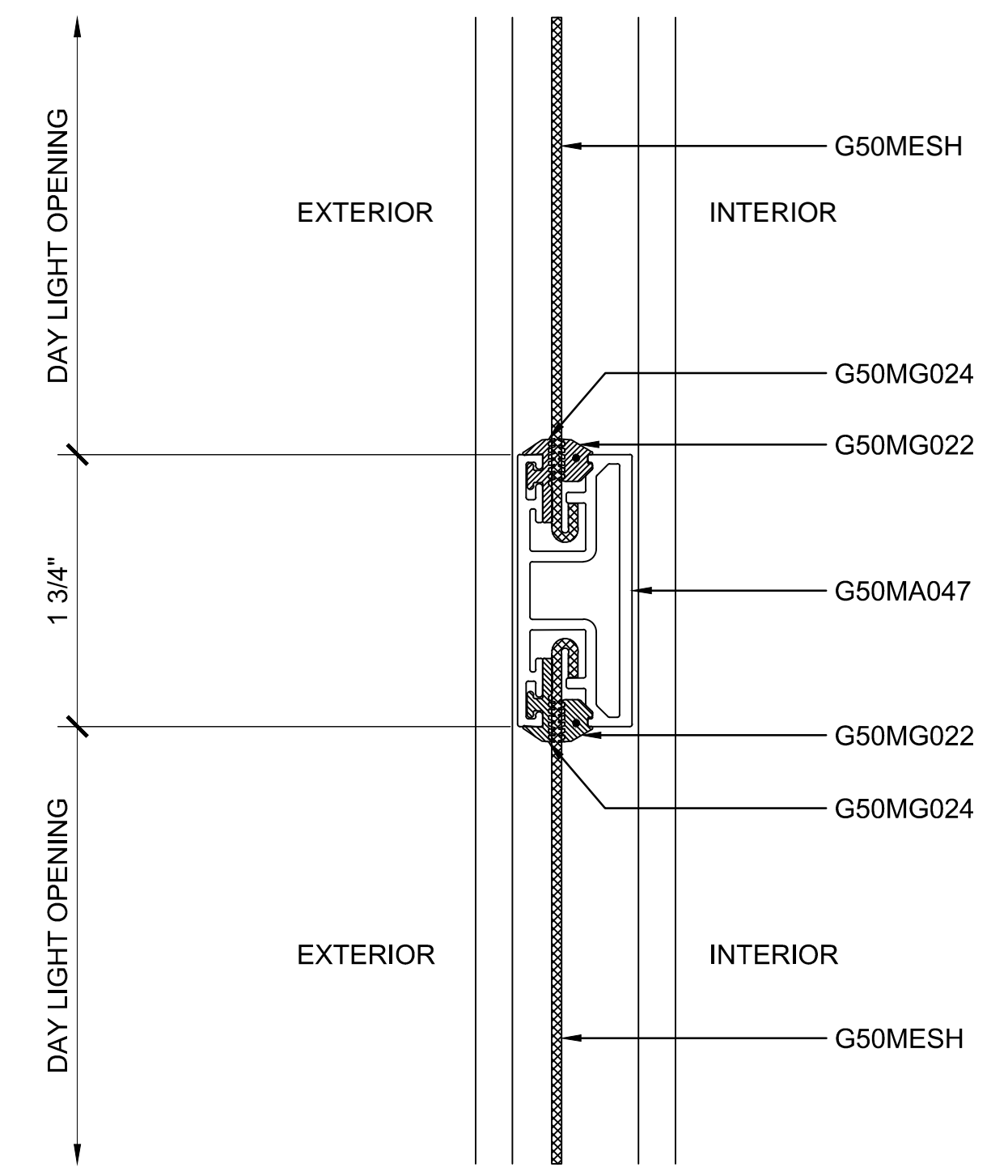
ARCH REF: N/A 1'-0"=1'-0"

SINGLE SLIDING DOOR SINGLE TRACK DETAILS

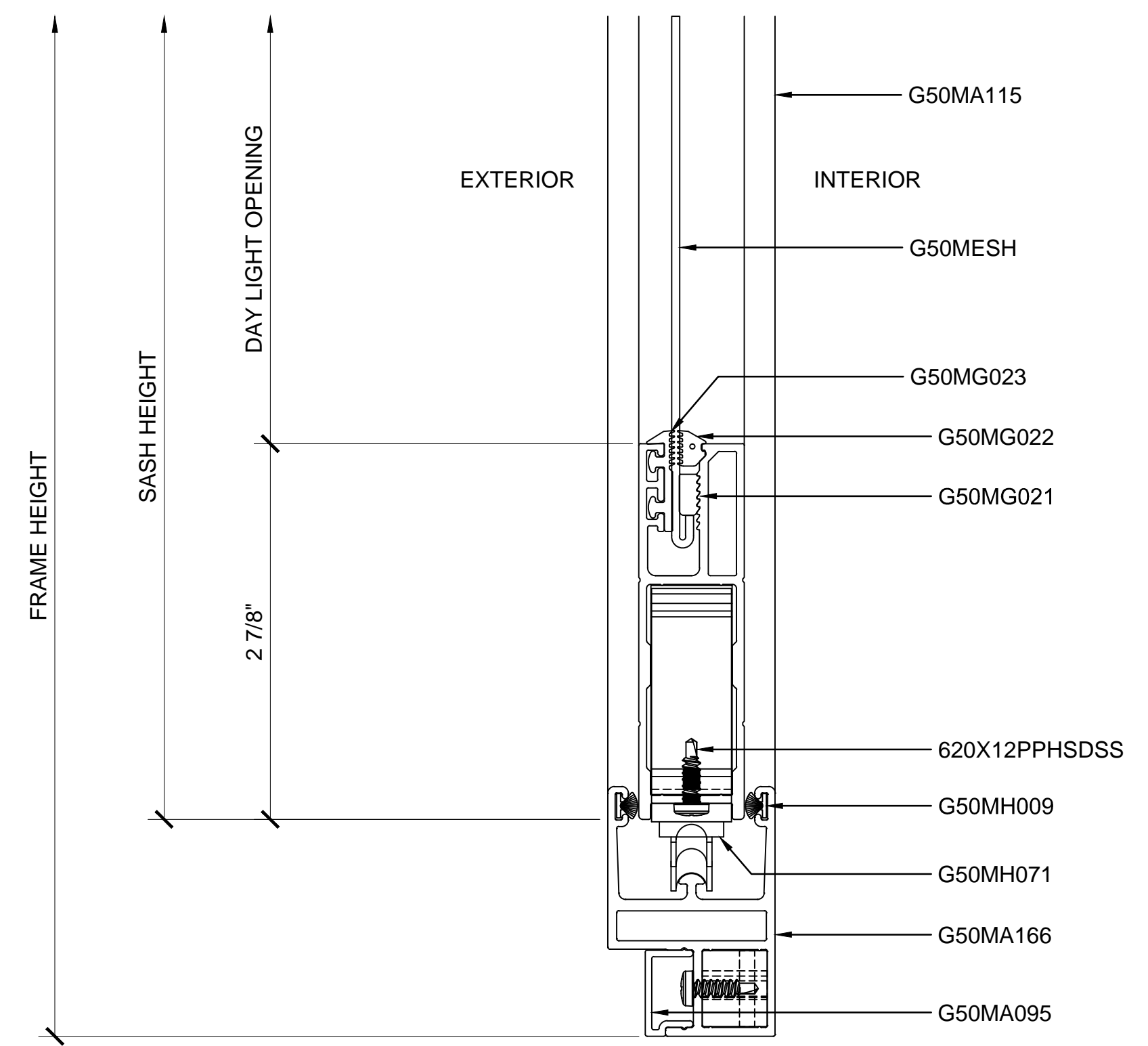




① SECTION DETAIL AT HEAD
 ARCH REF: N/A 1'-0"=1'-0"



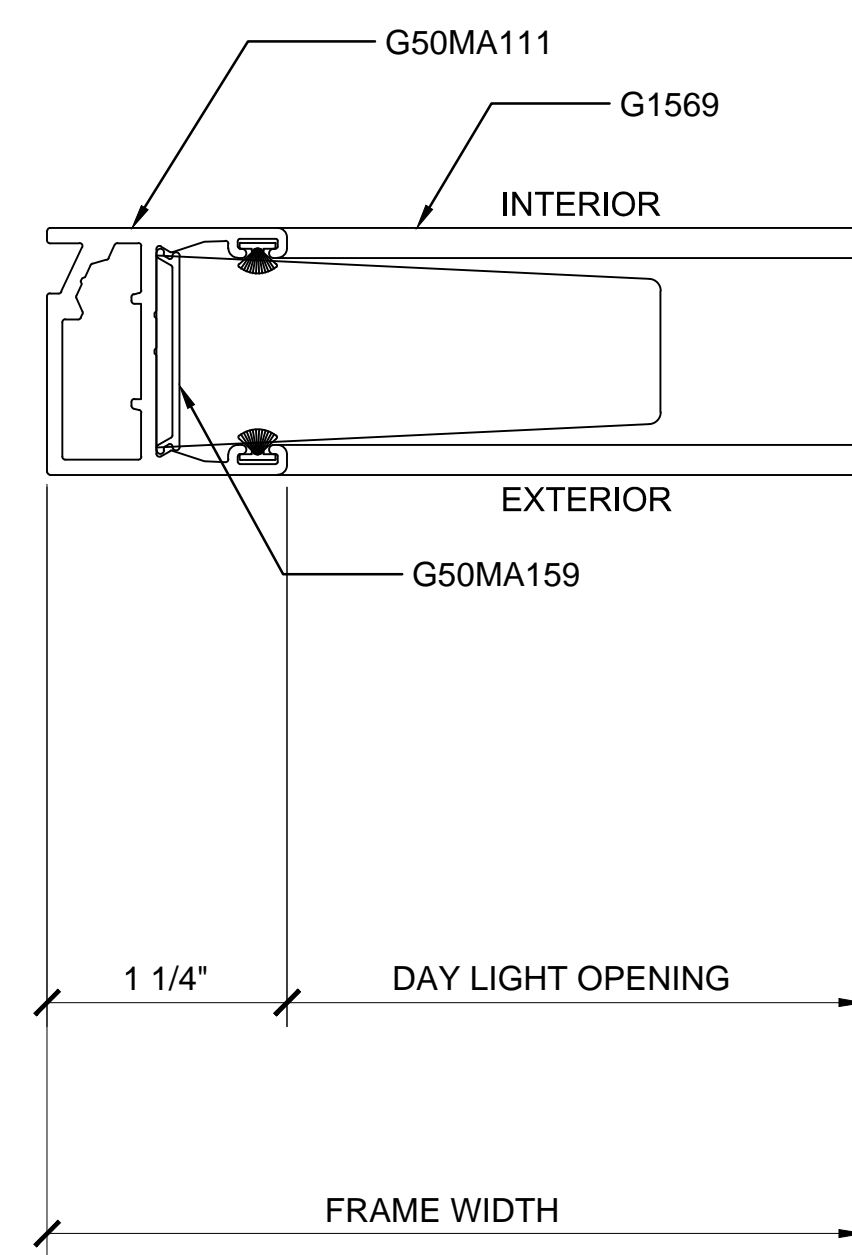
③ SECTION DETAIL AT MIDRAIL - OPTIONAL
 ARCH REF: N/A 1'-0"=1'-0"



② SECTION DETAIL AT SILL
 ARCH REF: N/A 1'-0"=1'-0"

SINGLE SLIDING DOOR SINGLE TRACK DETAILS - OPTIONAL

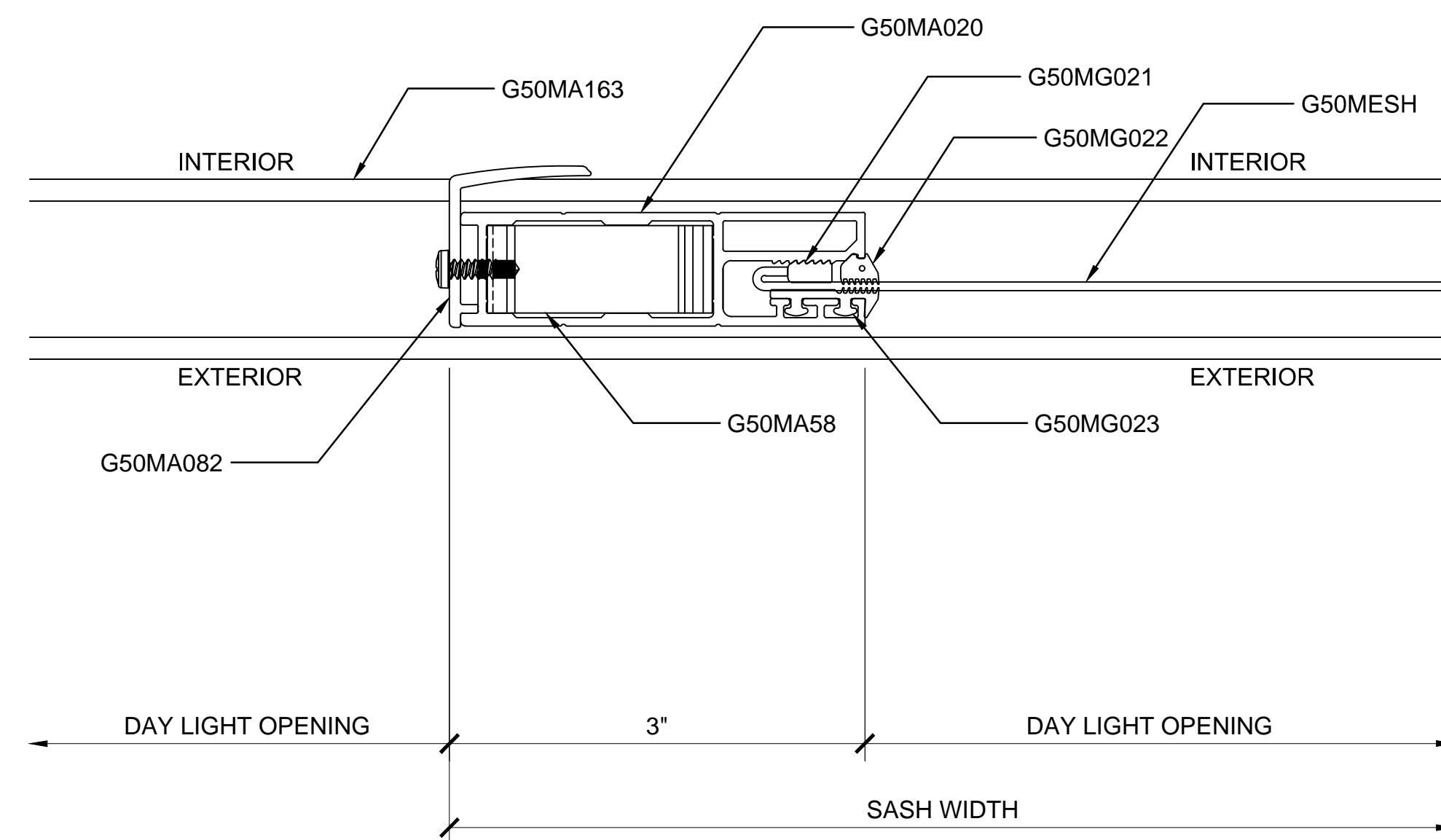




① SECTION DETAIL AT JAMB

ARCH REF: N/A

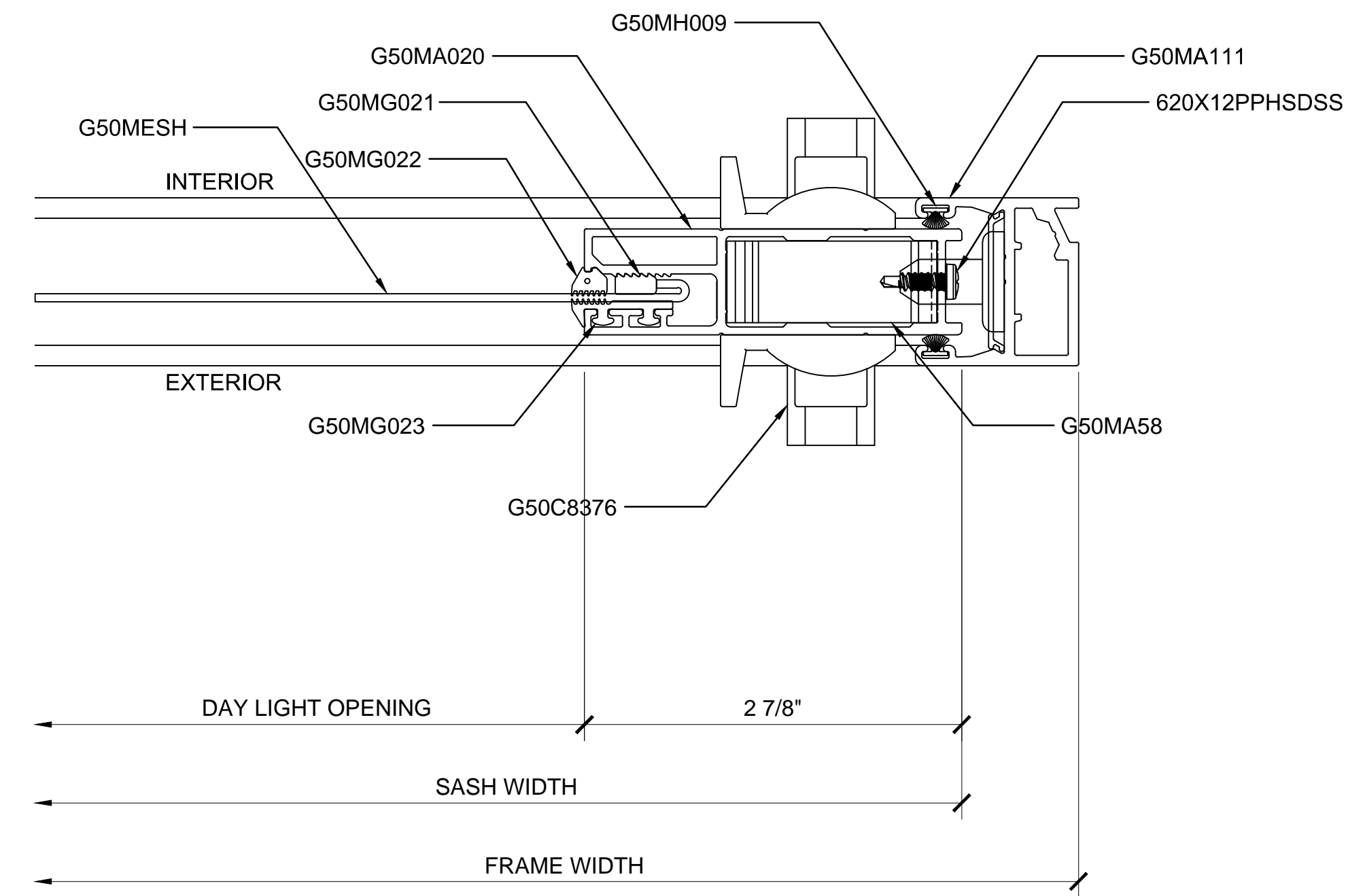
1'-0"=1'-0"



① SECTION DETAIL AT JAMB

ARCH REF: N/A

1'-0"=1'-0"

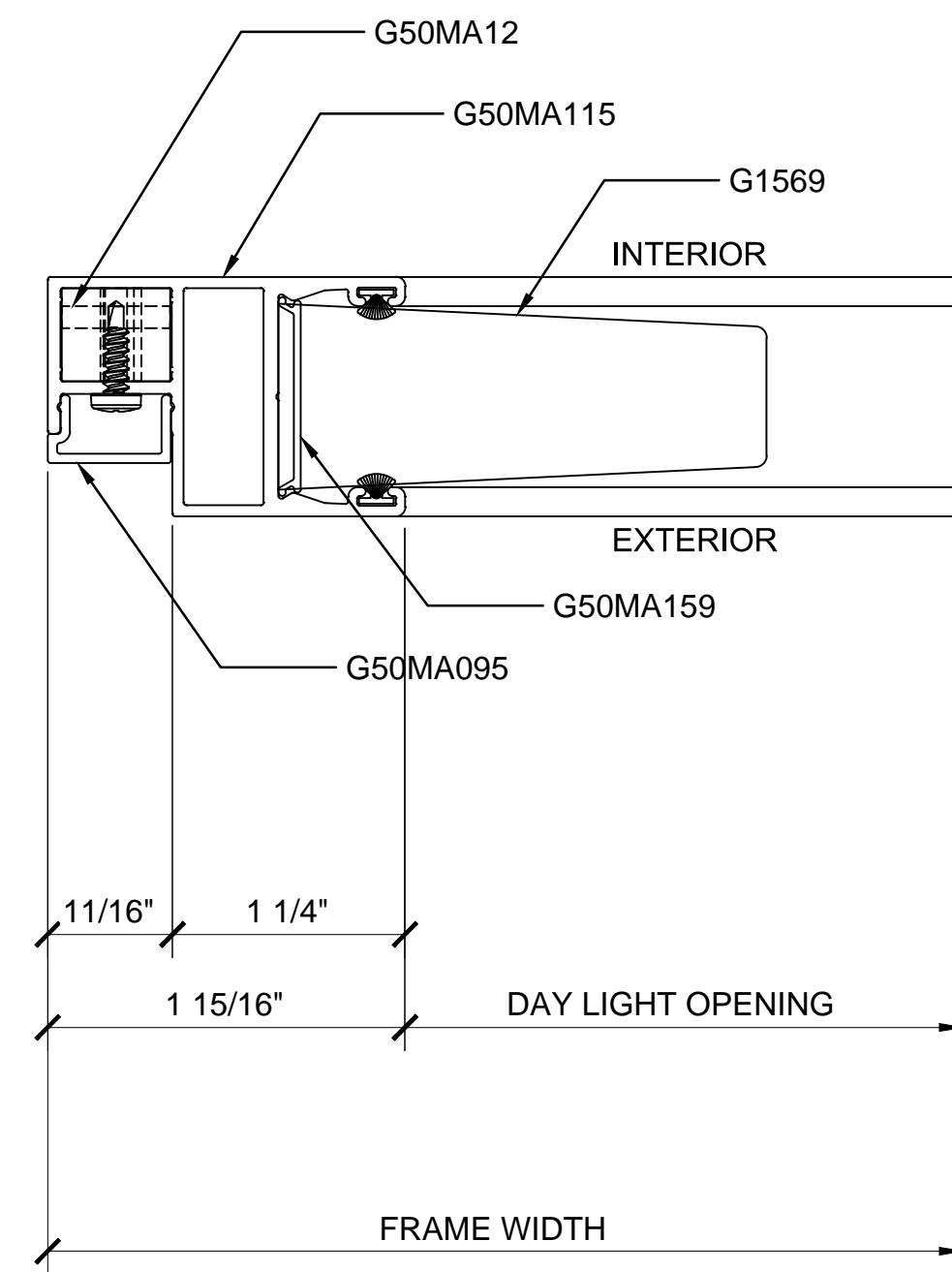


② SECTION DETAIL AT JAMB

ARCH REF: N/A

1'-0"=1'-0"

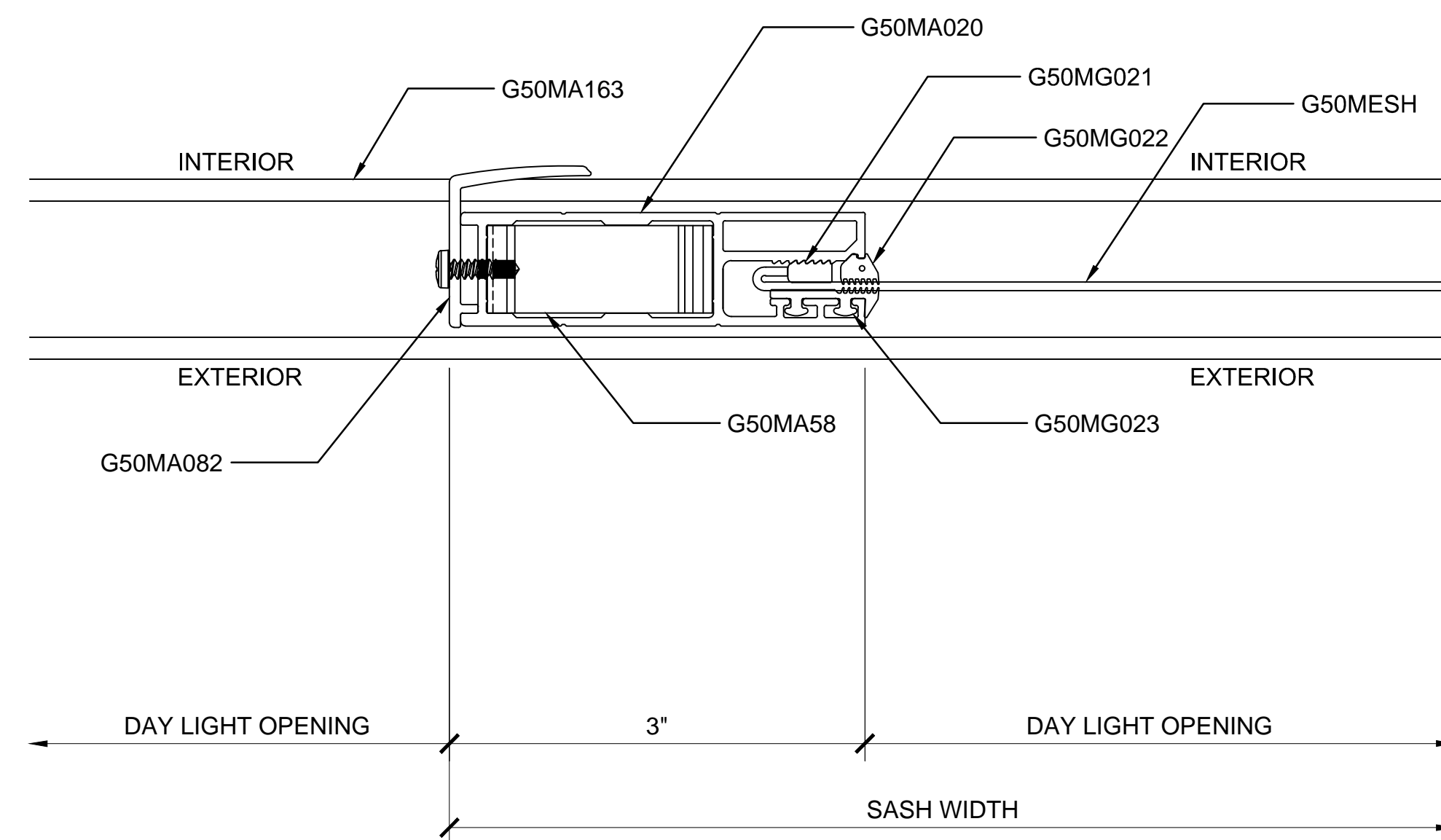




① SECTION DETAIL AT JAMB

ARCH REF: N/A

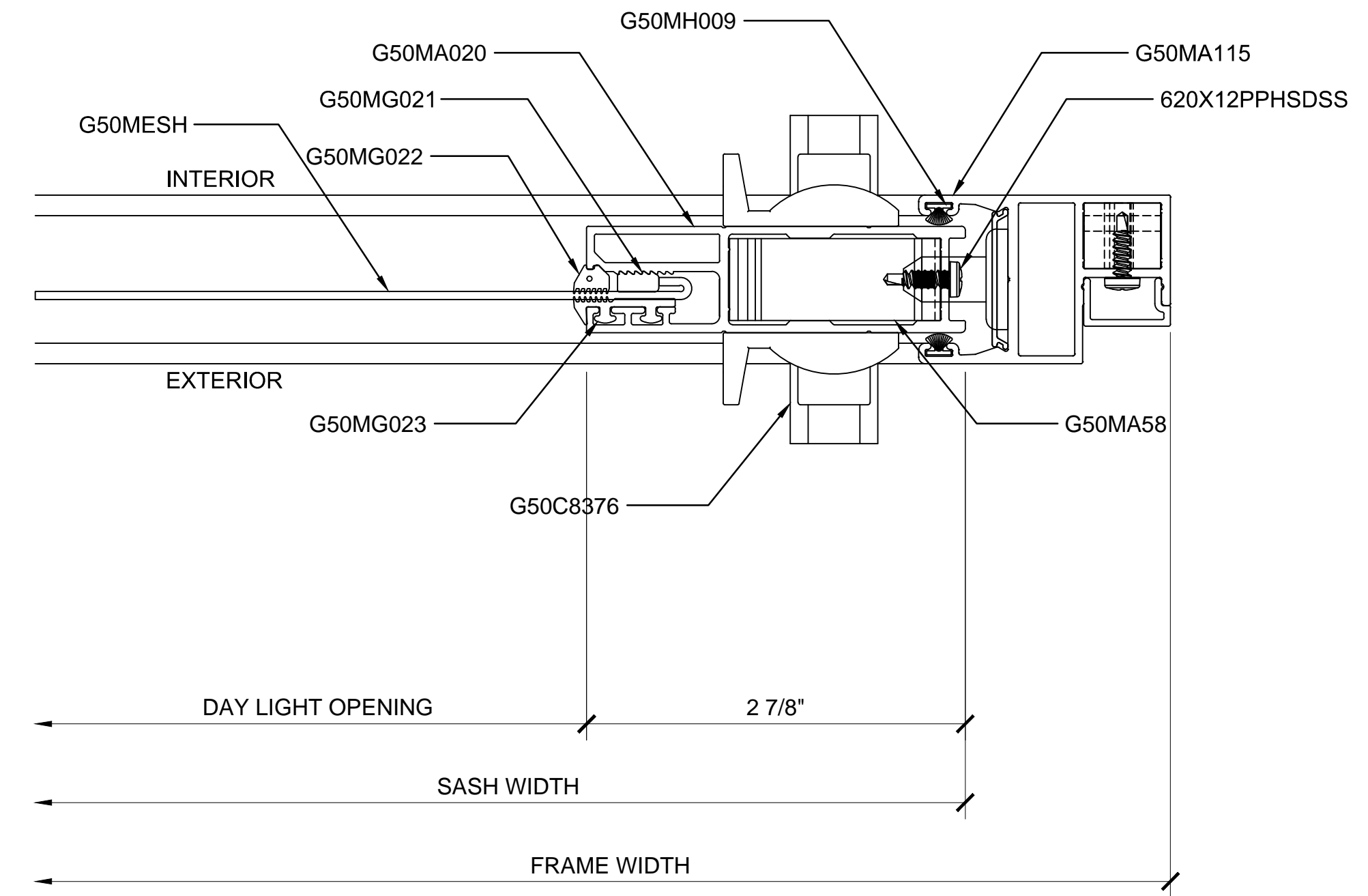
1'-0"=1'-0"



① SECTION DETAIL AT JAMB

ARCH REF: N/A

1'-0"=1'-0"



② SECTION DETAIL AT JAMB

ARCH REF: N/A

1'-0"=1'-0"



SINGLE SLIDING DOOR SINGLE TRACK DETAILS - OPTIONAL